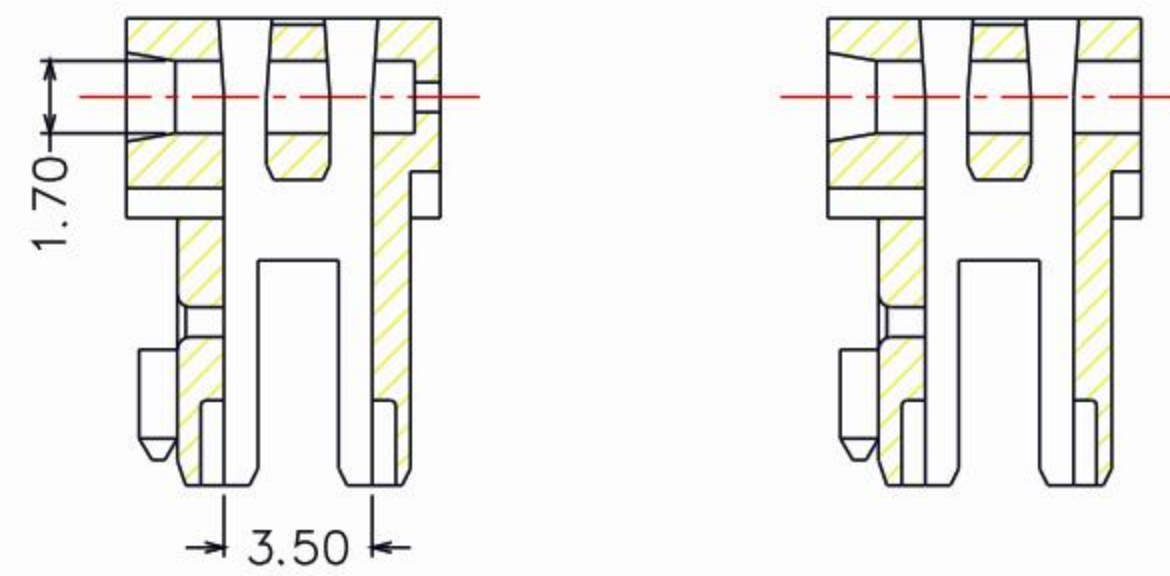
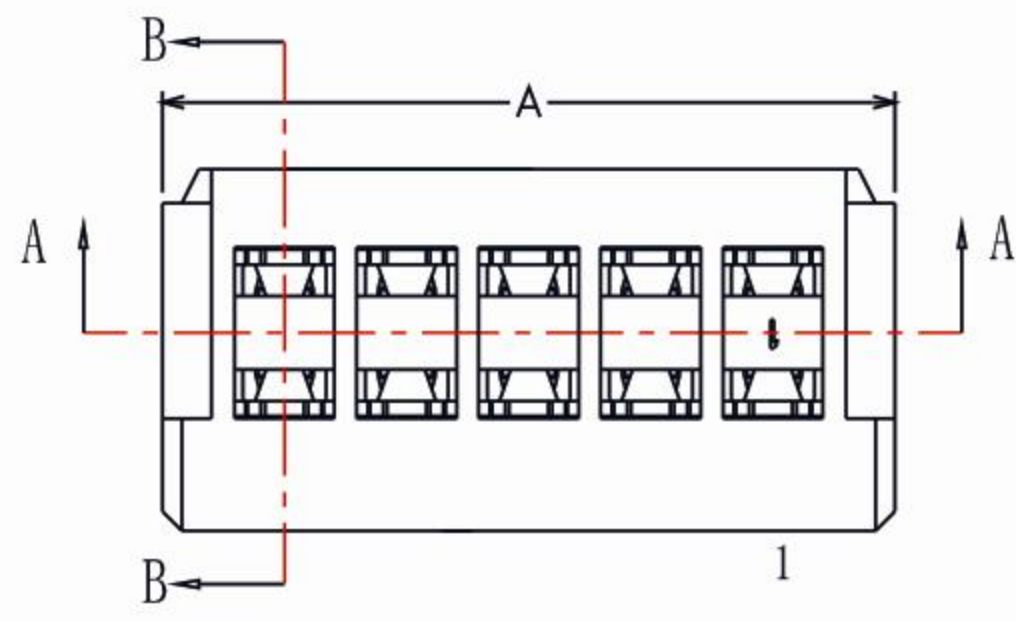




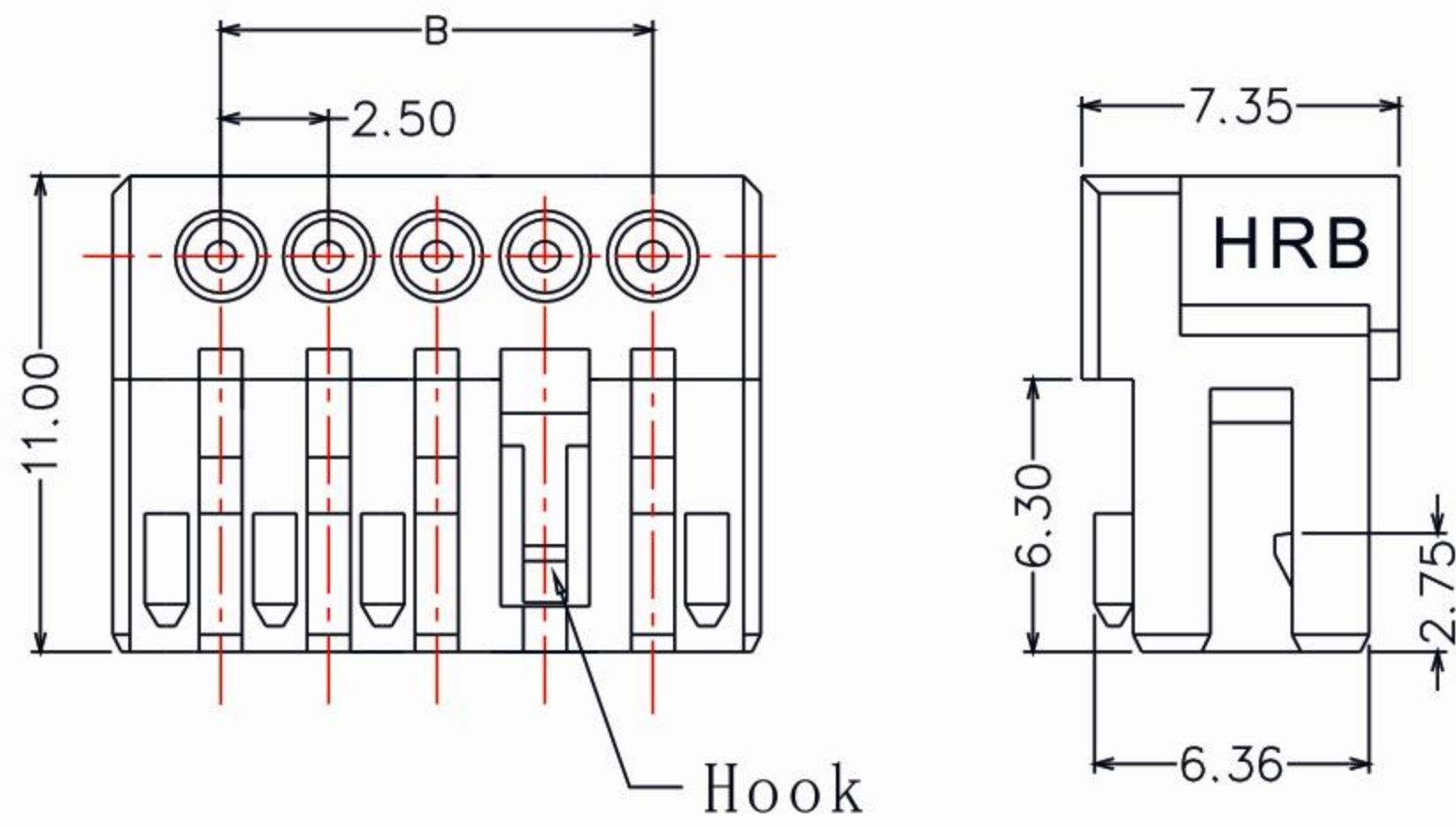
Shenzhen Hongru Connector Co., Ltd

Email: yukyli@hrb-connector.com  
 Tel: 86-0755 2709 6669  
 Fax: 86-0755 2709 2392  
 Skype: haiyuncheng-vivian  
 Mobile(whatsapp): 86-186 8112 3590  
 Website: http://www.hrb-connector.com/

## M7242R M7242

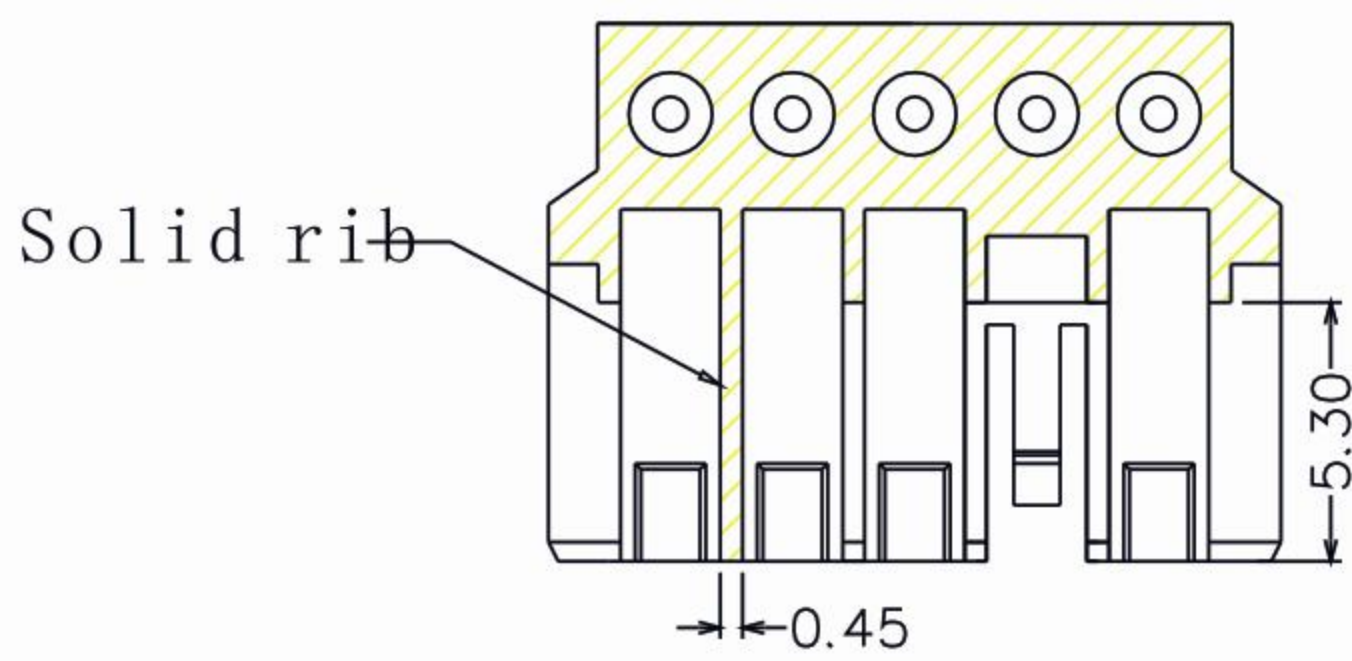


SECTION: B-B

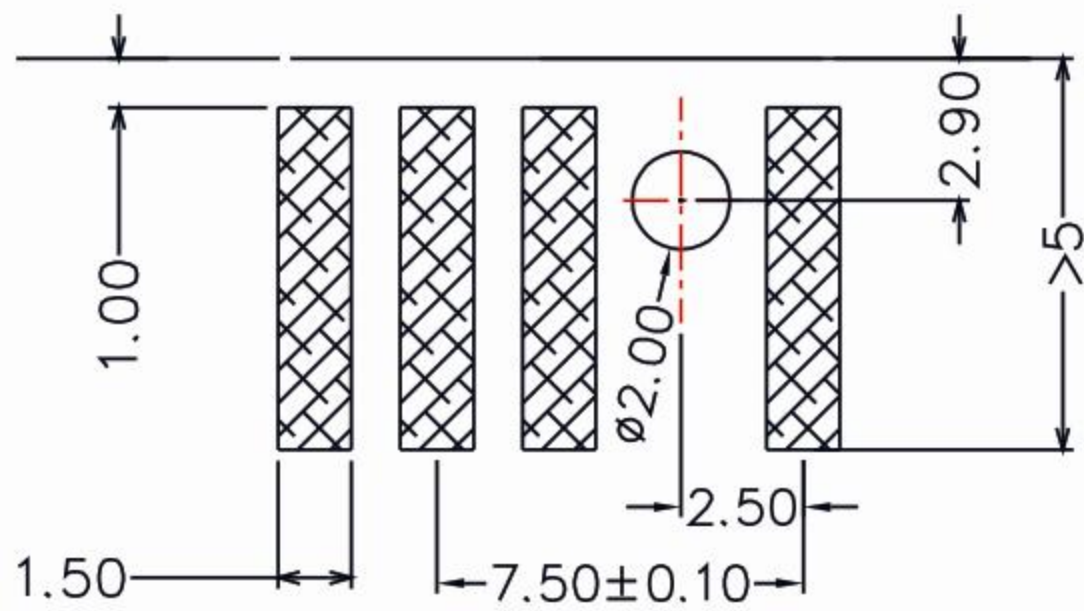


### SPECIFICATION

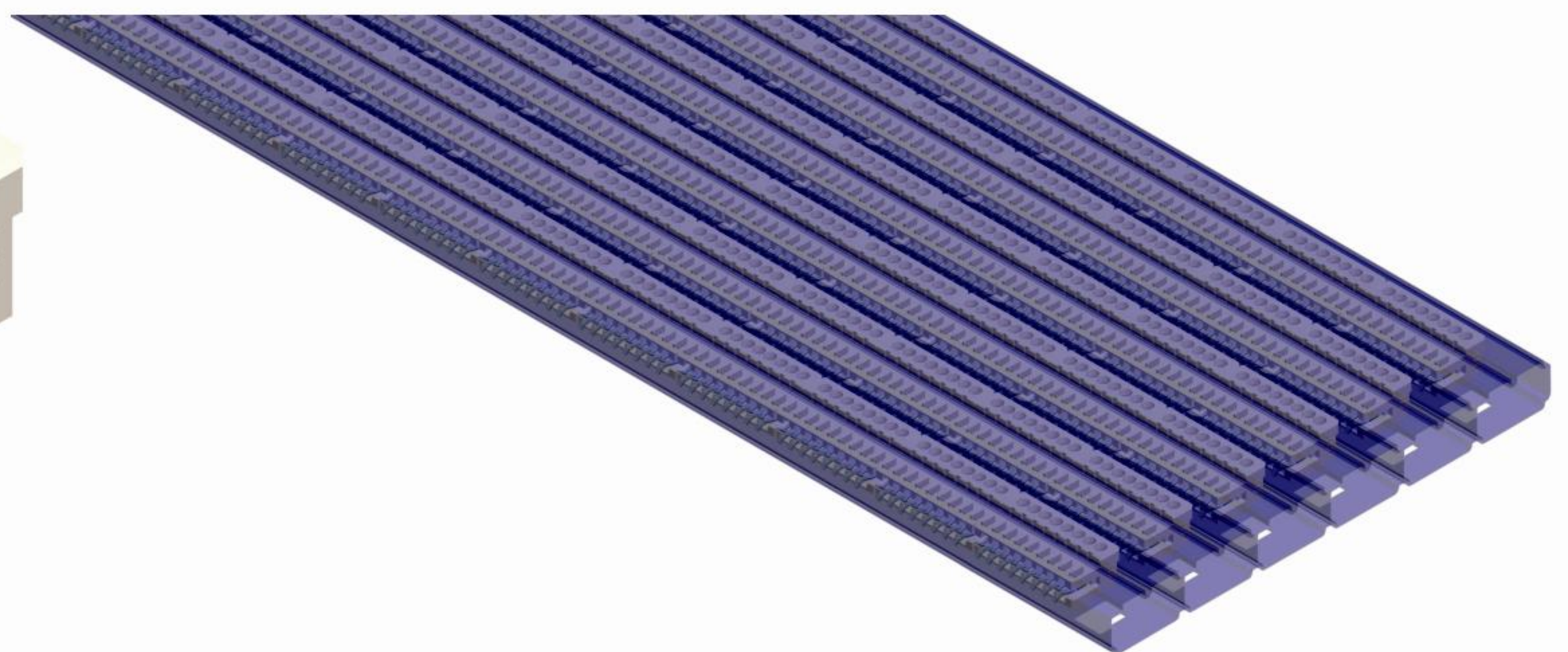
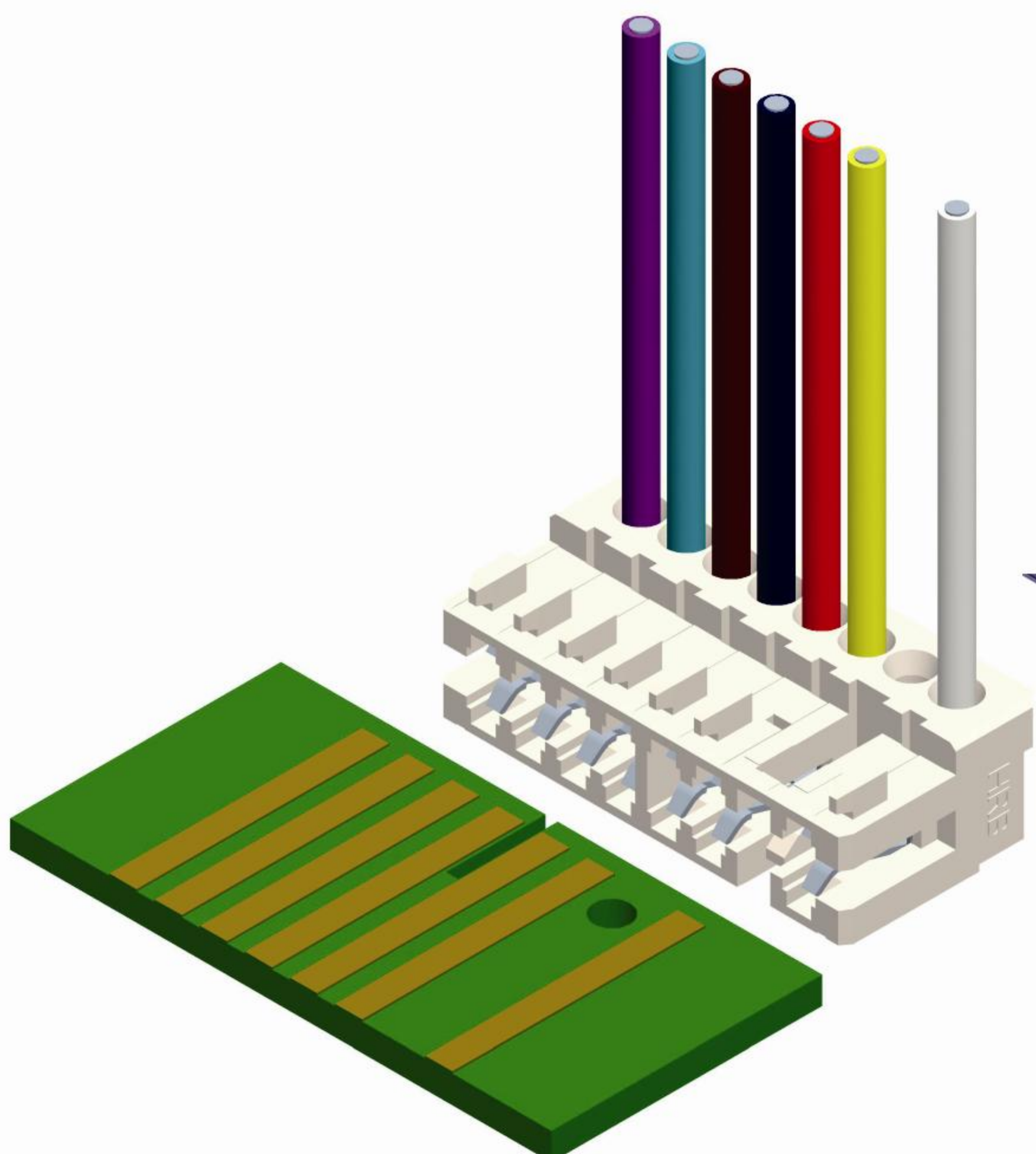
Current rating: 3AAC, DC  
 Voltage rating: 32V AC, DC  
 Operating Temperature: -40°C--+120°C  
 Contact Resistance: 10mΩ max.  
 Insulation resistance: 1000MΩ min.  
 Withstanding voltage: 1400V AC/minute  
 Material: Housing: Nylon66 UL94V-0  
 Terminal: Phosphor bronze, Tin-plated  
 Wire range: AWG 24 to 22  
 GWT: 750°C IEC-60335-1



SECTION: A-A



Dimension		
Circuit No.	A	B
2	2.5	7.5
3	5.0	10.0
4	7.5	12.5
5	10.0	15.0
6	12.5	17.5
7	15.0	20.0
8	17.5	22.5
9	20.0	25.0
10	22.5	27.5
11	25.0	30.0
12	27.5	32.5
13	30.0	35.0
14	32.5	37.5
15	35.0	40.0
16	37.5	42.5
17	40.0	45.0
18	42.5	47.5
19	45.0	50.0
20	47.5	52.5







### M7242 Series coding chart

